

# Glossary

Here are some of the words used in the worksheets with their meanings. There are also some other words your teacher might use when talking about road safety.

	Level B
Accident	An unpleasant event that causes damage, injury or death.
Advantage	The good points of something.
Aided crossing	Crossing the road at an aided crossing means there is something or someone there to help you cross the road safely e.g. school crossing patroller or a pelican crossing.
Dangerous	Unsafe and harmful.
Disadvantages	The bad points of something.
Green Cross Code	A guide to crossing the road safely for all pedestrians.
Injured	If someone is injured it means they have been hurt.
Kerb	The edge of the pavement by the road.
Lollipop person	A person who helps you to cross the road. They wear a special uniform and carry a sign to stop the traffic. Also known as school crossing patroller.
Passenger	A person who travels in a vehicle without driving it.
Pavement	A path for pedestrians to walk on. Pavements run alongside roads and are a little higher.
Pedestrian	A person who walks on the pavement.
Pedestrian crossing	A place where people can cross the road safely. There are two main types of crossings, a zebra crossing and a pelican crossing.
Pedestrian subway	An underground passage (underpass) for pedestrians to cross a road or railway.
Pelican crossing	A crossing which has push buttons and signals for pedestrians to stop traffic in order to let them cross the road safely.
Police Officer	A person whose job is to keep law and order. A Police Officer can also stop traffic on the road.

# Glossary

Here are some of the words used in the worksheets with their meanings. There are also some other words your teacher might use when talking about road safety.

	Level B
Poor visibility	Person who cannot see very well because they have bad eyesight or because someone or something is in their way.
Procedures	A way of doing something.
Road traffic accident	An unpleasant event that involves vehicles hitting each other and can cause injury to people.
Route	The choice of roads taken to get to a place.
School crossing patroller	A person who helps you to cross the road. They wear a special uniform and carry a sign to stop the traffic. Also known as a lollipop person.
Survey	A way of finding out about something e.g. ways we get to school.
Traffic	Vehicles travelling on the road e.g. cars, buses and lorries.
Traffic island	Some raised pavement in the middle of the road. It is a safer place to wait, while crossing a main road.
Traffic warden	A person who supervises road traffic and reports traffic offences for a living.
Unaided crossing	Crossing the road at an unaided crossing means there is nothing in place to help you across the road.
Unsafe	Dangerous and harmful.
Vehicle	A car, bus, lorry or taxi that travels on the road. Vehicles transport people and goods.
Zebra crossing	A safer place to cross the road. It is made up of black and white lines on the road and has orange flashing beacons at each end.

**accident**

**advantages**

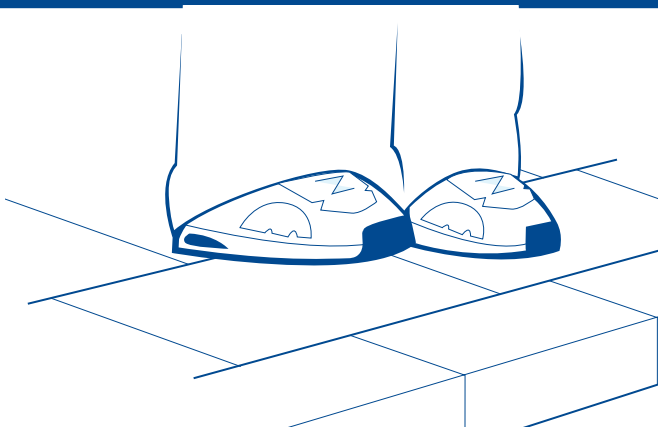
**aided crossing**

**dangerous**

**disadvantages**

**Green Cross  
Code**

**injured**



**kerb**

**lollipop  
person**



**passenger**

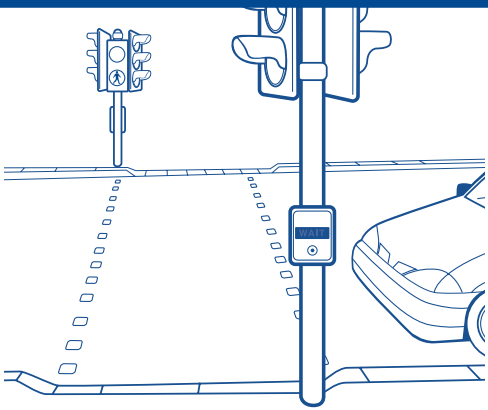
**pavement**

**pedestrian**



**pedestrian  
crossing**

**pedestrian  
subway**



**pelican  
crossing**

**police officer**



**poor visibility**

**procedures**

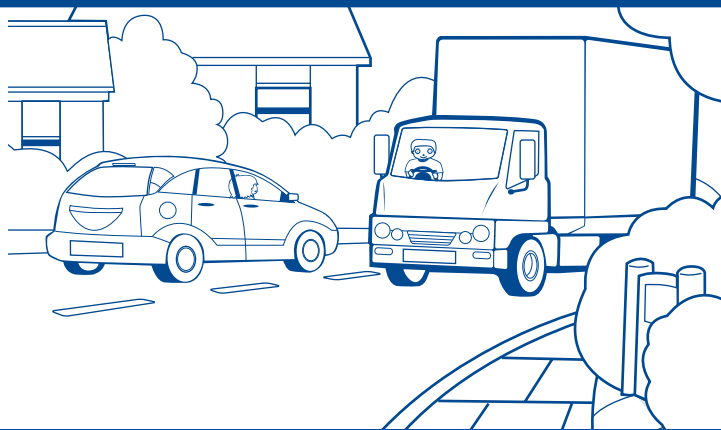
**road traffic  
accident**

**route**

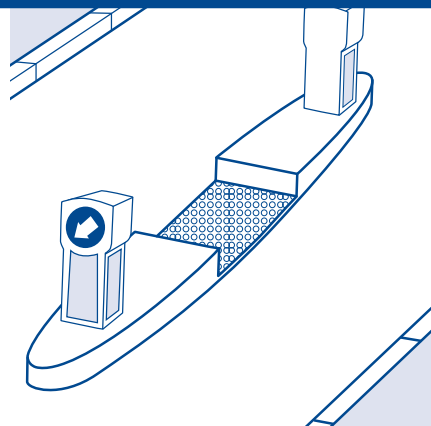
# school crossing patroller

## survey

### traffic



### traffic island

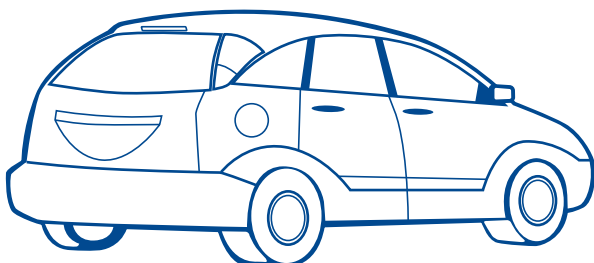




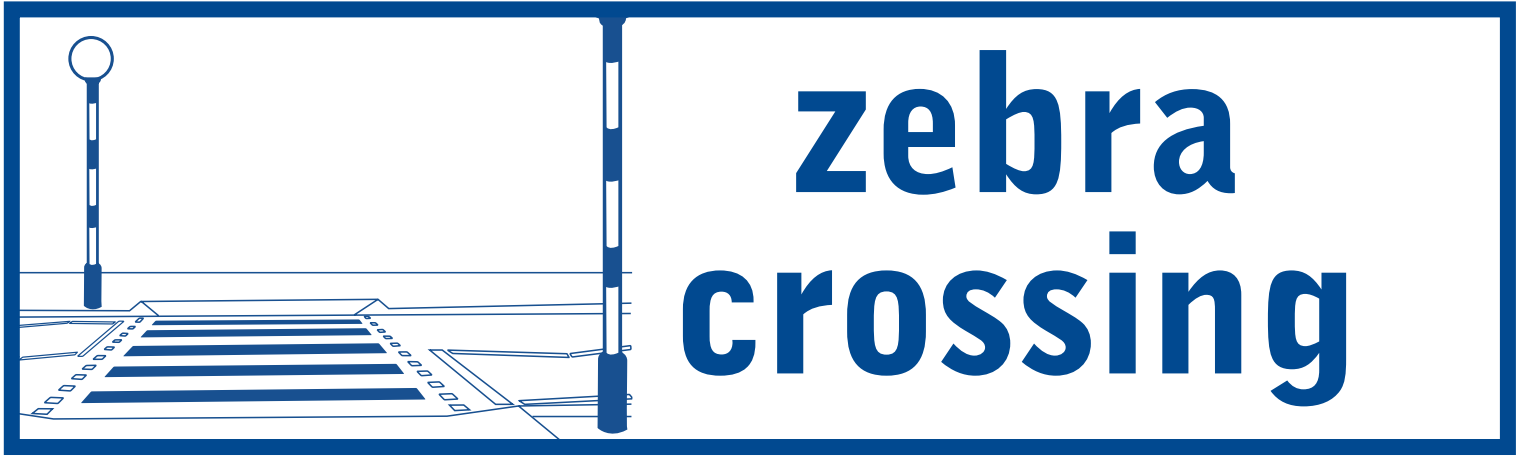
**traffic  
warden**

**unaided crossing**

**unsafe**



**vehicle**



**zebra  
crossing**